

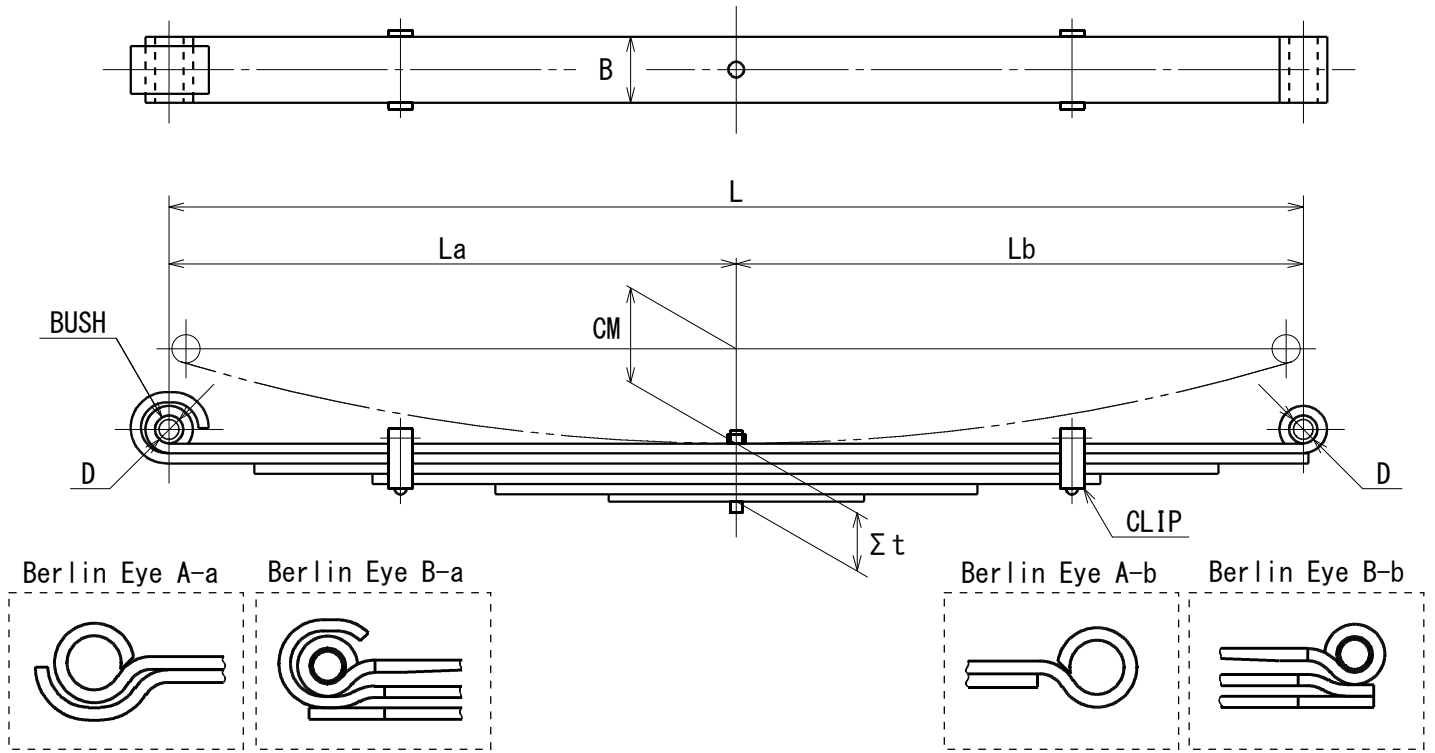
CUSTOM MADE LEAF SPRING INQUIRY FORM

- 1 If you wish to inquire about custom made leaf springs, please use this form to indicate the exact measurements you require.
We manufacture both conventional multi-springs and parabolic leaf springs, and front and rear springs.
- 2 To indicate required length and thickness, please fill in the boxes in this form in millimeters or centimeters (if you wish to use inches, please mention so in "Remarks" box at bottom of this form, i.e. "unit in inch").
- 3 In "Acc" column, please indicate whether bush is required and also position of clip (which leaf). (refer Example)
- 4 Please indicate type of "eye" required in "Remarks" box. (refer Example)
- 5 Please send this form to us and we will inform you by return whether we can manufacture as per your requirements. We may suggest a similar type of spring from our database, or if you wish we can design exactly as per your requirements, although this may take some time.
- 6 We can also offer you approx price of the leaf spring offered, although price may fluctuate depending on ordered quantity. Our price will be ex-factory in Tokyo, but if you prefer we can also add logistic cost to your destination port.
- 7 If any points need clarification, please do not hesitate to contact us using the Contact form in this website.

THANK YOU

Conventional Leaf Spring

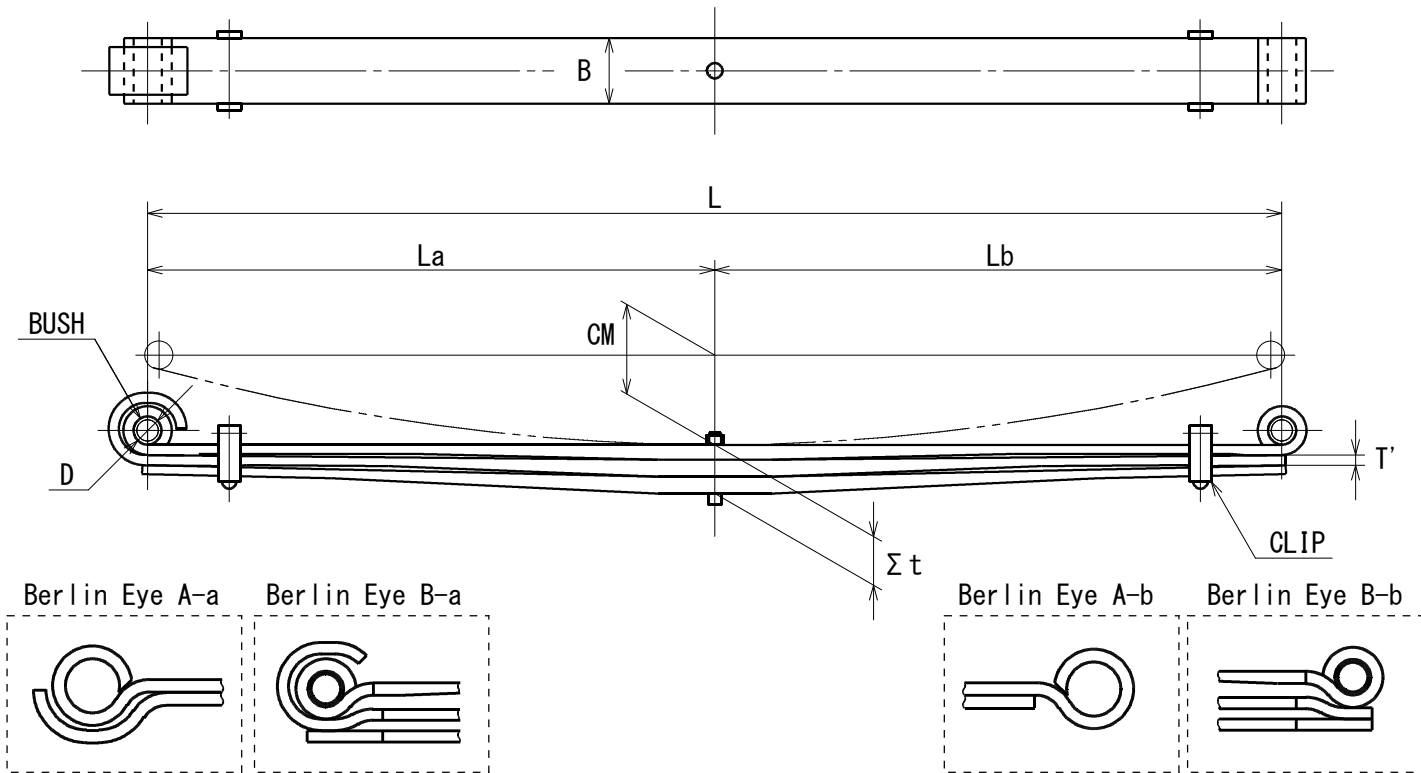
TYPE I



Number								
	L	La	Lb	T	T'	B-(B')	C	Acc
No.1					---			
No.2					---			
No.3					---			
No.4					---			
No.5					---			
No.6					---			
No.7					---			
No.8					---			
No.9					---			
BUSH(D)								
CM								
Σ t								
Center Bolt								
Remarks								

Parabolic Leaf Spring

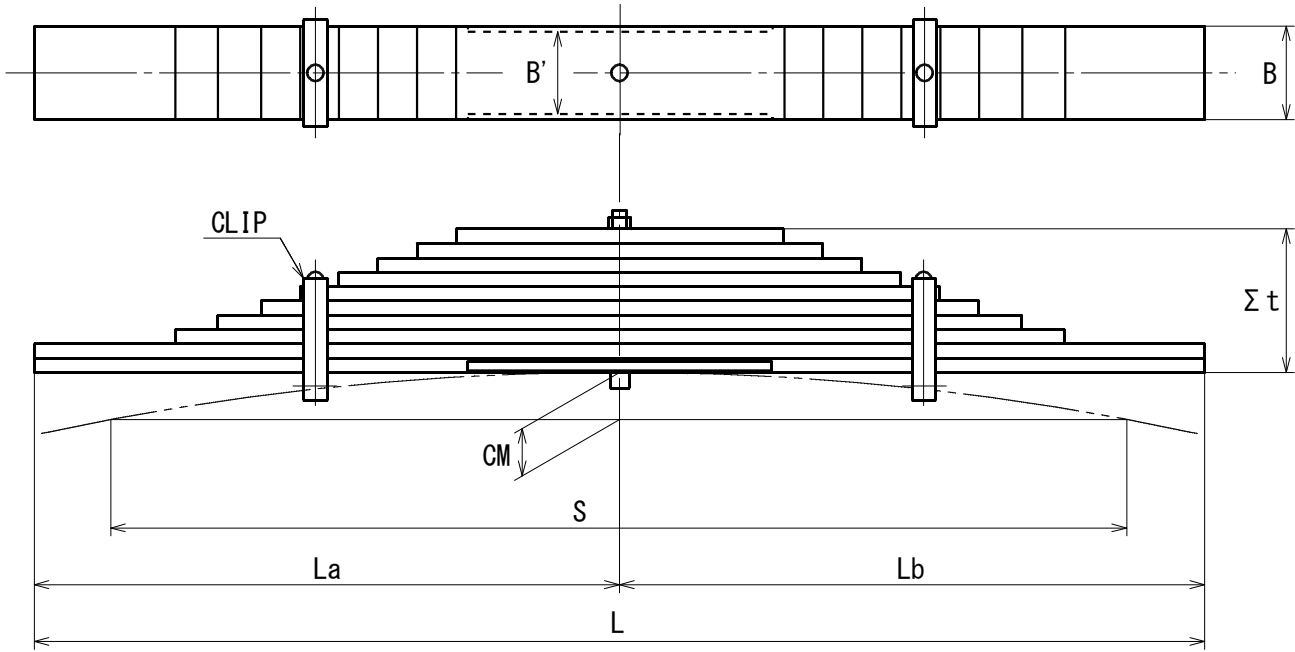
TYPE II



Number								
	L	L _a	L _b	T	T'	B-(B')	C	Acc
No.1								
No.2								
No.3								
No.4								
No.5								
BUSH(D)								
CM								
Σt								
Center Bolt								
Remarks								

Conventional Leaf Spring

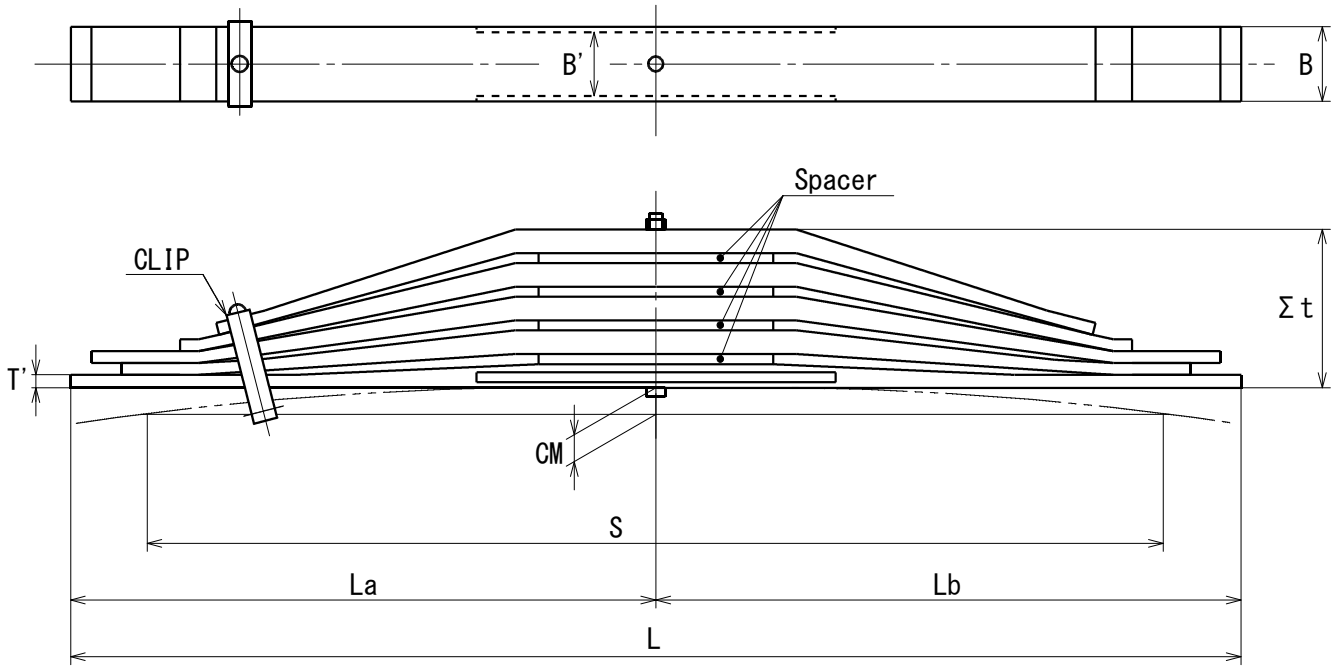
TYPE III



Number								
	L	La	Lb	T	T'	B-(B')	C	Acc
No.1					---			
No.2					---			
No.3					---			
No.4					---			
No.5					---			
No.6					---			
No.7					---			
No.8					---			
No.9					---			
No.10					---			
CM								
Σt								
Center Bolt								
Remarks								

Parabolic Leaf Spring

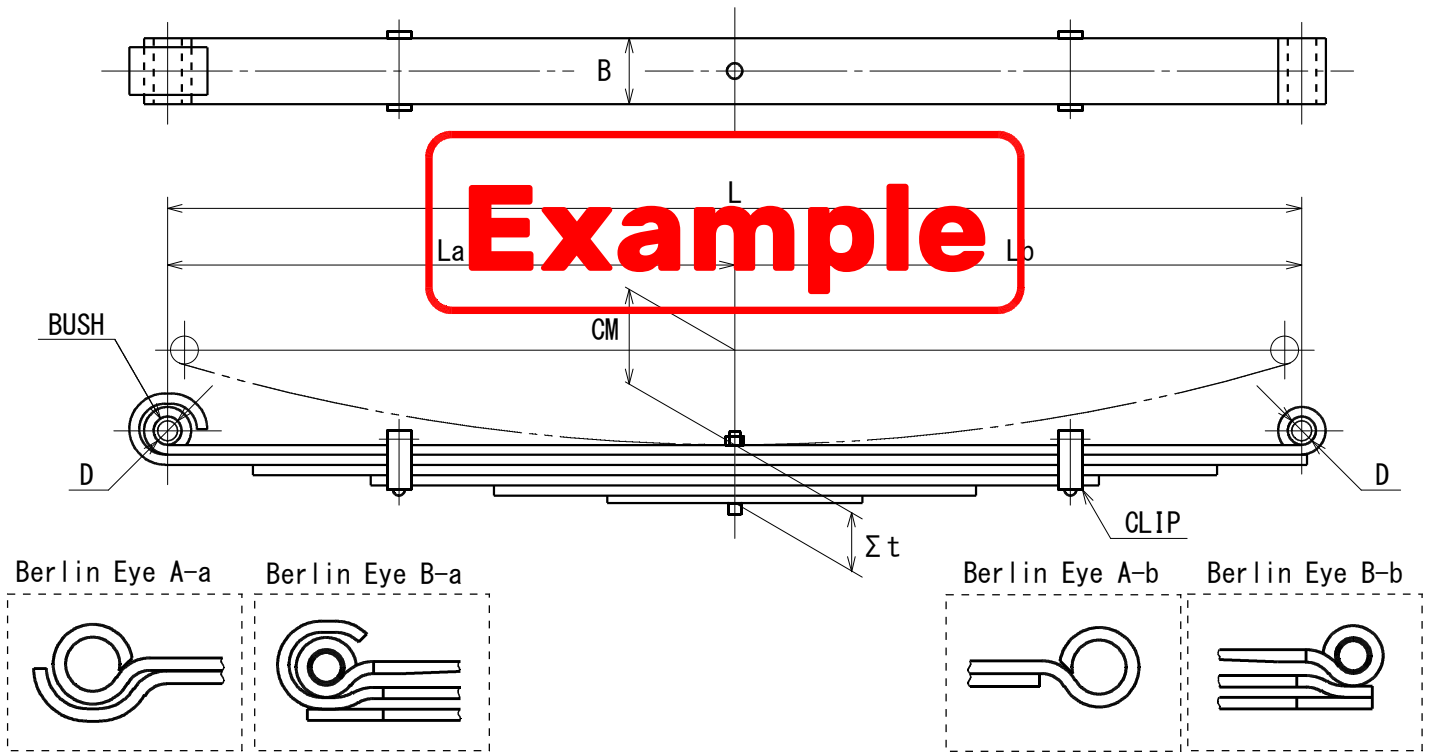
TYPE IV



Number								
	L	La	Lb	T	T'	B-(B')	C	Acc
No.1								
No.2								
No.3								
No.4								
No.5								
No.6								
CM								
Σt								
Center Bolt								
Spacer								
Remarks								

Conventional Leaf Spring

TYPE I



Number	FUSO FE517 Front Spring (4leaves)							
	L	La	Lb	T	T'	B-(B')	C	Acc
No.1	1200	600	600	10.0	---	70	51	W/Bush
No.2	1155	600	555	11.0	---	70	72	
No.3	790	395	395	11.0	---	70	36	W/Clip
No.4	440	220	220	11.0	---	70	10	
No.5					---			
No.6					---			
No.7					---			
No.8					---			
No.9					---			
BUSH(D)	$\phi 40 \times \phi 43.2$							
CM	70.0mm							
Σt	43.0mm							
Center Bolt	M10							
Remarks	Berlin Eye A-a / Berlin Eye A-b							